



invoice / delivery address

Kom.:

Order

Offer

Reha-Carseat STARLIGHT

Exportprices **Release: 2017**

BASIC

details:

STARLIGHT	
seat width	20 / 28 cm*
seat depth	25 / 27,5 / 30 cm
back height	32 (34*) / 36 (38*) / 40 (42*)
crown height	55 (57*) / 59 (61*) / 63 (65*)
total height	ab 63 cm
total width	46 cm
total depth	46 cm
weight	ab 9,0 kg
capacity	36 kg

*without cushion to reduce the seat width


common information (standard):

- 5-point-harness with upholstery
- special cushion to reduce seat width
- head rest height adjustable
- side impact protection
- exclusive ventilation system
- neck cushion
- angular adjustment (0° - 5°)
- Crash tested according to ECE 44, ECE R16, ECE R14
- TÜV Product Service EN 12182 and DIN EN 1021

Technische Änderungen und Druckfehler vorbehalten.




STARLIGHT-Reha Red
(380000-ST-1)



STARLIGHT-Reha Grey
(380000-ST-2)

fittings for stabilization


abduction block, removable
 (380400-ST)



security tray
 (380600-ST)



lateral supports, pair
 in all dimensions independently adjustable




accessory that makes the base board NECESSARY

BASE BOARD


Necessary for the options below!
 (380000-BP)


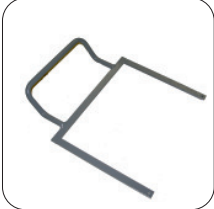
swivel base
 (380200-ST)

RIGHT
 LEFT

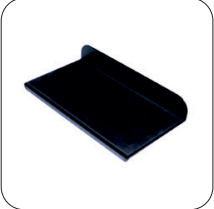
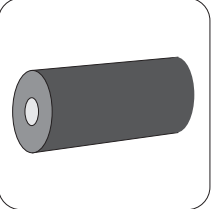


extra angular adjustment (0° - 20°)
 (380100-ST)



ISOFIX-adapter <input type="checkbox"/> (380575-ST)	clamp bow <input type="checkbox"/> (380550-ST)
	

↔

foot rest <input type="checkbox"/> (380450-ST)	foot roll <input type="checkbox"/> (380455-ST)
	

↔

further options



protection mat
 (to protect the original seats of the car)
 (380780-ST)



belt to connect the chest straps
 (to improve the position of the belt in front of the breast)
 (380640-ST)



security pad for the buckle
 with snap fastener (380650-ST)
 with magnetic lock (380655-ST)

↔