

accessories



824 Table with edge and hollow



896 Padded cover of the table



834 Adjustable padded abduction block



828 Chest strap



827 Foot straps



892 Removable upholstery for footrest

DUECENTO



836 Removable upholstery for headrest, backrest, seat, legrest



functions



Adjustable, padded and winding headrest



Seat with 2 depths, 40 and 44 cm



Adjustable in height arm supports



Drum brakes with one only control lever



Adjustable, overturnable and turning tip-up footrest



The closed, turning and detachable sides help the approach of the operator, the sitting and the going off of the user



technical SPECIFICATIONS

Triangularly shaped **winding BACKREST**, in order to keep better the trunk. It can be positioned in 2 positions in order to establish **two depths of the seat**. Adjustable tilt in 6 positions, thanks to release mechanism.

Padded **winding HEADREST**, separated from the backrest and adjustable in tilt, height and in the front and in the back position.

closed, detachable and turning sideways SIDES with **ARM SUPPORTS** adjustable in height.

Washable **PVC STRING COVERING**. It allows a wide perspiration and it's highly wearproof. The sufficiently elastic covering assumes the shapes of the shoulders and of the bottom.

Ergonomic SEAT. It is available in three widths (40, 45 and 50 cm) with a 16° tilt, to prevent the user from falling forward.

Padded BUFFERS to protect the knees.

Adjustable LEGREST with a big padded support-strap.

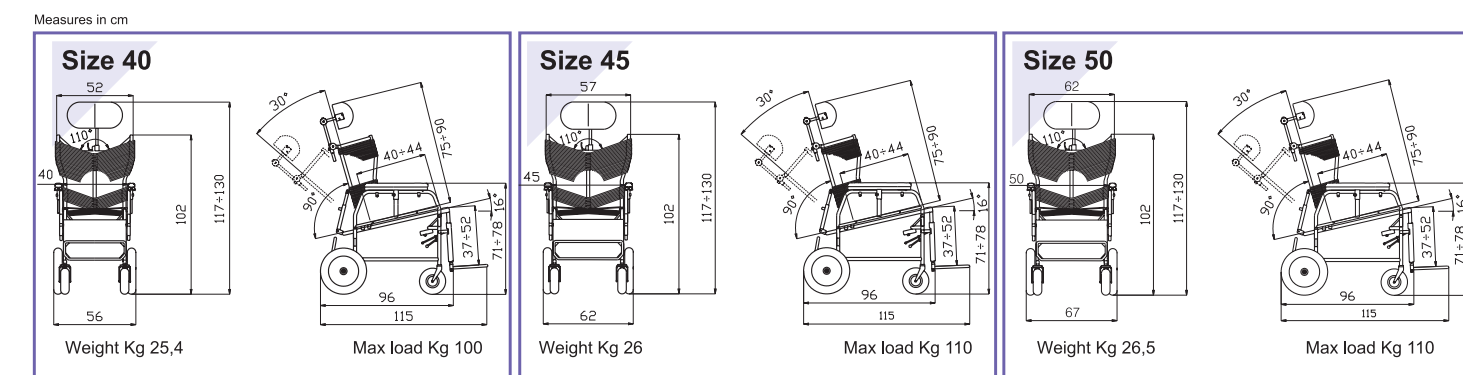
One only overturnable and turning sideways tip-up FOOTREST, in order to help the approach of the operator, the sitting and the going off of the user.

Fixed **FRAME** in varnished or chromium-plated steel

Unperceable WHEELS, front wheels 17,5 cm, back 30,5 cm, with drum brake, working thanks to one only foot-lever. There are no dangerous protuberances around the wheels.

The manufacturer reserves the right to make changes without any notice

The copyright even if partial is not allowed, without the authorization of the manufacturer



ORMESA®

INGLESE - COD.22046 - 01/06

grafica • FEDERICA BASTIANELLI • Foligno



DUECENTOTRE5

Authorized Dealer

CE



ORMESA® S.r.l.

Via A. da Sangallo, 1 Z.A.I. PACIANA
06034 FOLIGNO - (PG) - ITALY
Tel. 0742 22927 (r.a.) Fax 0742 22637
E-mail: info@ormesa.com
http://www.ormesa.com

Areha ASSOCIATION OF MANUFACTURERS
FOR THE REHABILITATION

COMPANY
WITH QUALITY MANAGEMENT
SYSTEM CERTIFIED BY DNV
=ISO 9001:2000=