

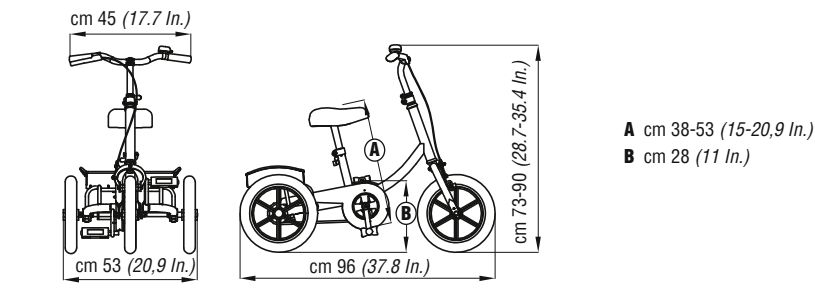
DIMENSIONS

HYPHEN-SEPARATED NUMBERS INDICATE THE MINIMUM AND MAXIMUM RANGE OF ADJUSTMENT

207-3 mini 12"

Weight of the aid 12,5 kg (27.5 Lbs.)
Max. load 30 kg (66 Lbs.)

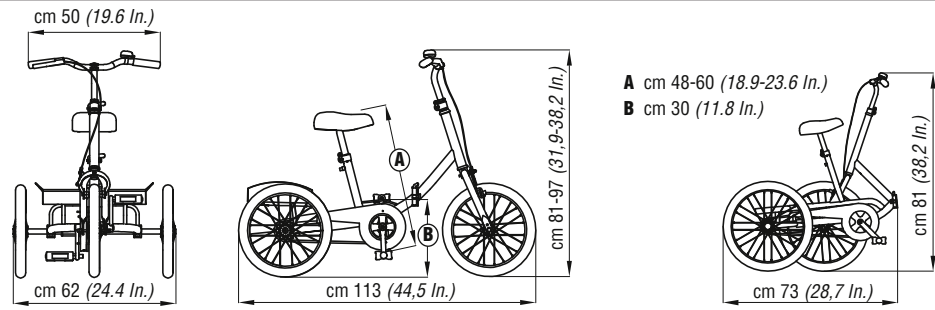
The frame is available in the following colours:
-BLUE -RED



207-3 small 14"

Weight of the aid 15 kg (33 Lbs.)
Max. load 45 kg (99 Lbs.)

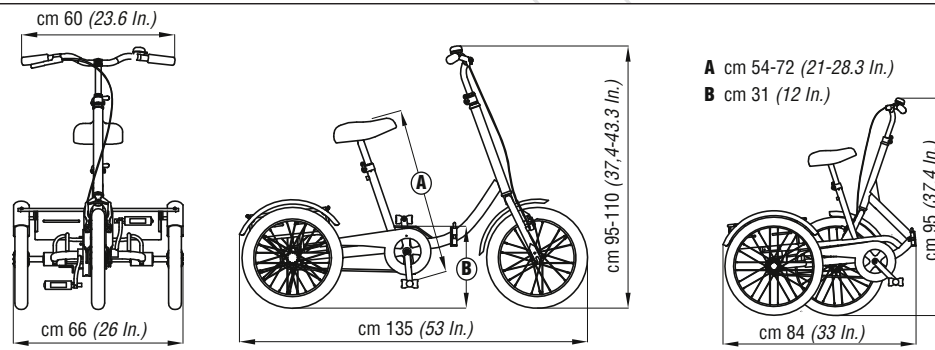
The frame is available in the following colours:
-BLUE -RED



207-3 medium 16"

Weight of the aid 18,5 kg (40.7 Lbs.)
Max. load 60 kg (132 Lbs.)

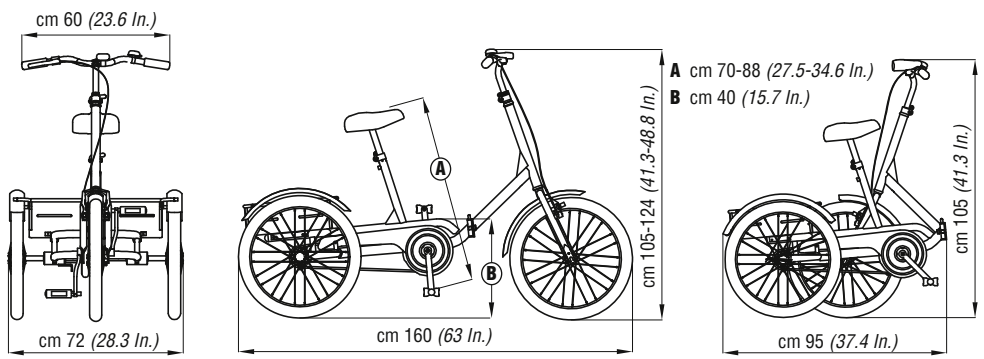
The frame is available in the following colours:
-BLUE -RED



207-4 large 20"

Weight of the aid 22 kg (48.5 Lbs.)
Max. load 90 kg (198 Lbs.)

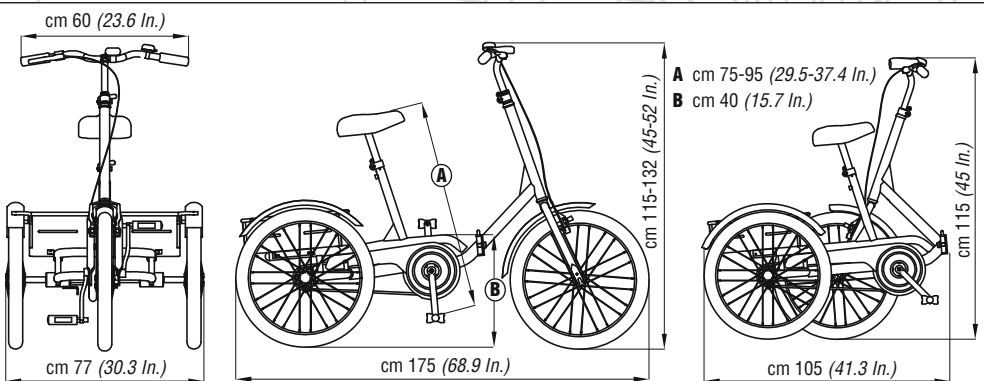
The frame is available in the following colours:
-BLUE -RED



207-5 maxi 24"

Weight of the aid 24 kg (53 Lbs.)
Max. load 100 kg (220 Lbs.)

The frame is available in the following colours:
-BLUE -RED



Reproduction, even partial, is forbidden. The manufacturer reserves the right to make any changes without prior notice.

TRICYCLE 207

S P O R T

INGLESE cod. 22806 - 07/12/08



ORMESA S.r.l.
Via A. Da Sangallo, 1 - Z.I. PACIANA
06034 FOLIGNO (Pg) ITALY
Tel.: +39 0742 22927 (r.a.)
Fax: +39 0742 22637
E-mail: info@ormesa.com
www.ormesa.com

ORMESA

design and quality made in Italy

COMPANY
WITH QUALITY MANAGEMENT
SYSTEM CERTIFIED BY DNV
=ISO 9001:2000=



FUNCTIONS

- **LOCKING MECHANISM of the TRICYCLE** (It blocks the tricycle while the User is up and/or down slope)
- **FRONT BRAKE** that can be operated by the lever either on the right or on the left side of the handlebar
- **BELL**
- **LIGHT** battery-operated (only for sizes 4 and 5)
- **FOLDING FRAME** with longitudinal and transversal strengthened parts in order to reduce oscillations to a minimum (on sizes 2,3,4 and 5)
- **ERGONOMIC SADDLE**
- **SPLASHBOARDS** (on sizes 3, 4 and 5)
- **BASKET**
- **WHEELS** run on hermetically ball bearings



the position and height of the **STEERING-COLUMN** of the **HANDLEBAR** and the forward position of the central motion with respect to the **SADDLE** allow a **VERTICAL RIGHT POSTURE** which makes the pedal thrusts easier and helps respiration

TRICYCLE 207 is intended for individuals who can control their trunk and have depth perception.



FIXED PINION standard. It allows to cycle also backwards.
We can supply the tricycle with **FREE-WHEEL** on demand: it allows the user to cycle only forwards



207 -3D, -4D and -5D MODELS
The tricycle can be supplied with **DIFFERENTIAL and FREE-WHEEL** or with **DIFFERENTIAL and FIXED PINION** on demand

It is advisable to install the DIFFERENTIAL on all tricycles, except for size 1 and 2

The differential FACILITATES the User CONSIDERABLY while he is in bend. Thanks to the differential the two back wheels can move in different speeds (the back internal wheel covers a lower distance in respect to the back external one)



840
FOOTSTRAPS with stirrup



841
FOOTSTRAPS with stirrup, footprint and buckling



846
ANKLE SUPPORTS. They are adjustable at the calf (they must be always fixed together with our 841)



847
PEDAL CRANKS. They are adjustable in length (for sizes 4. and 5)



845
ARM SUPPORTS



842
concave BACK with belt
(It increases the distance between the saddle and the pedal of 3 cm -1.21 In.)



843
ABDUCTION SADDLE with flat back



842+ 843
concave BACK + ABDUCTION SADDLE



862
three speed DERAILLEUR
It eliminates the possibility of cycling backwards (207-3, -4, -5, -4D and -5D)



864
disc BRAKE applicable only on the models with differential (207 -3D, -4D and -5D)

ATTENTION:
THE 842 CONCAVE BASKET WITH BELT SUPPORTS USERS WHO LOSE THEIR BALANCE BUT CANNOT BE USED TO PROVIDE SUPPORT TO INDIVIDUALS WITH NO TRUNK CONTROL!



207-1 mini 12"
Max. load 30 kg (66 Lbs.)



207-2 small 14"
Max. load 45 kg (99 Lbs.)



207-3 medium 16"
Max. load 60 kg (132 Lbs.)



207-4 large 20"
Max. load 90 kg (198 Lbs.)



207-5 maxi 24"
Max. load 100 kg (220 Lbs.)

ACCESSORIES

ACCESSORIES