

# Standy Electro WING

INGLESE - COD. 22738 - 28-09-09

Authorized Dealer

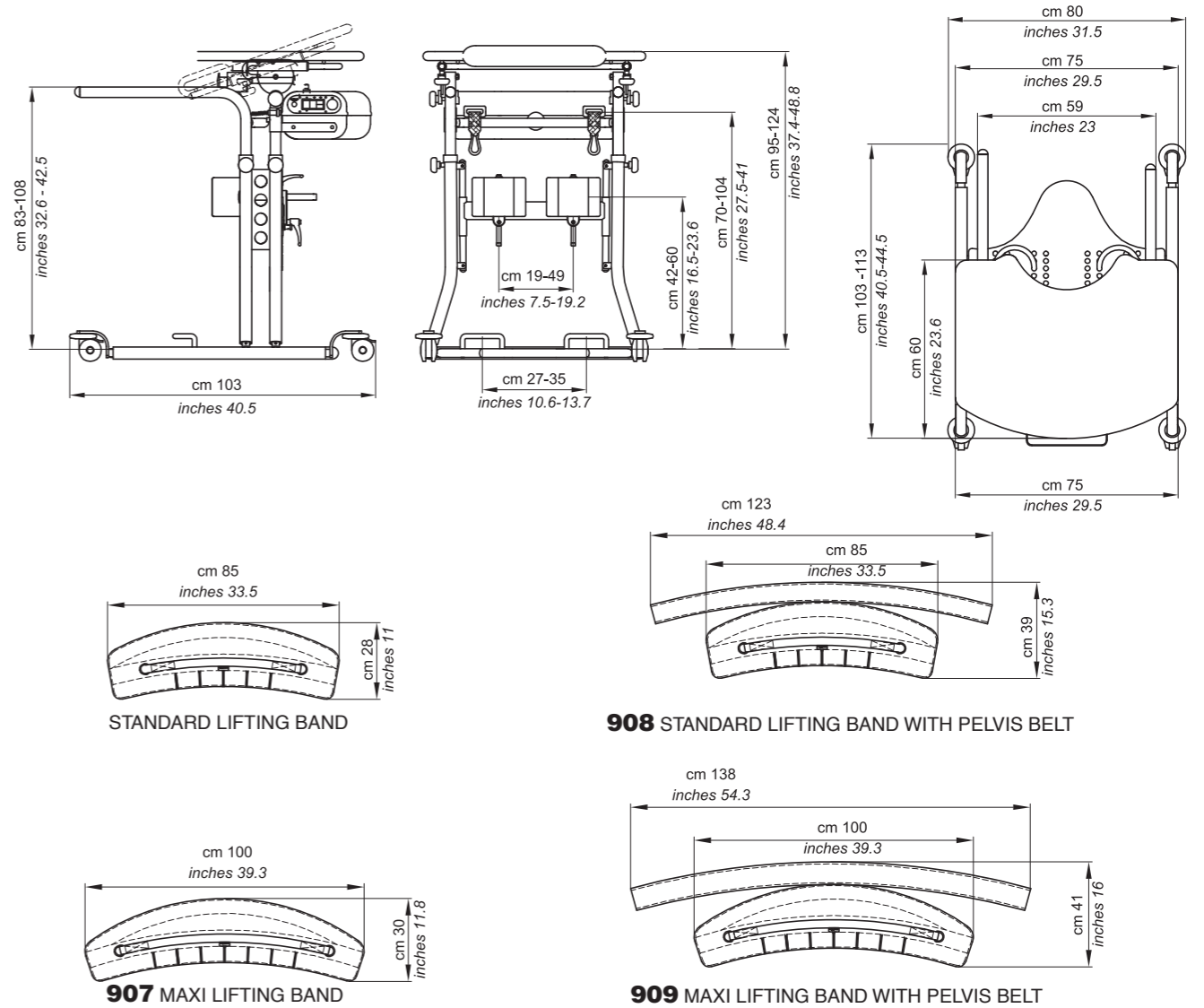
# Standy Electro WING

## M E A S U R E S



The copyright even if partial is not allowed without the authorization of the manufacturer. The manufacturer reserves the right to make changes without any notice

HYPEN-SEPARATED NUMBERS INDICATE THE MINIMUM AND MAXIMUM RANGE OF ADJUSTMENT



WEIGHT OF THE AID Kg 62 (Lbs 136)

MAX. LOAD Kg 120 (Lbs 264)



design and quality made in Italy

**ORMESA** S.r.l. - Via A. Da Sangallo, 1 - PACIANA  
06034 FOLIGNO (PG) ITALY - TEL. +39 0742 22927 (r.a.) FAX +39 0742 22637  
E-mail: info@ormesa.com - www.ormesa.com



COMPANY WITH QUALITY MANAGEMENT SYSTEM CERTIFIED BY DNV  
= ISO 9001:2000 =



# functions



We recommend to wear tight trousers to achieve the optimal grip of the band



# accessories

**902**  
Front foot restraints with belts



**867**  
pelvis support



**866**  
Chest, head and back support



heel-supports



knee-pads



standard lifting band



adjustable in width and backwards-forwards



adjustable in height, width and backwards-forwards



ergonomic, with internal covering in non-sliding shammy leather. Hooks to allow traction while climbing.  
An **alternative maxi size** is available (**907 model**: please see measures on the rear page)



lifting band with pelvis belt

**Alternative 908 lifting band with pelvis belt.** A **maxi size** is available (**909 model**: please see measures on the rear page)

# functions

table it is adjustable in height



table it is adjustable in backwards-forwards



table it is adjustable in tilt (0°-23°)

