

STANDY

ENGLISH - COD 22082 - 10/08

The **STANDY** stabilizer is the result of our consolidated experience, our constant research on materials and our attempt to optimize postures. Particular attention has been paid to form and colour as an integral part of the project.



The manufacturer reserves the right to make any changes without prior notice - Reproduction, even partial, is forbidden without the manufacturer's permission

STANDY



CE

TESTED PRODUCT BY THE INSTITUTE

TÜV GERMANY

ORMESA®



COMPANY
WITH QUALITY MANAGEMENT
SYSTEM CERTIFIED BY DNV
= ISO 9001:2000 =

A.D.M. - A.REHA
ASSOCIATION OF MANUFACTURERS OF
AIDS FOR MOTORIAL DISABILITIES

ORMESA®

S.r.l. Via A. Da Sangallo, 1 - Loc. PACIANA - 06034 FOLIGNO (Pg) ITALY
Tel.: +39 0742 22927 (r.a.) Fax: +39 0742 22637 E-mail: info@ormesa.com <http://www.ormesa.com>



CORRECT POSITION of ARMS



HOW TO POSITION the WORK TABLE

► **OPTIONAL 902** - adjustable front **footrest+straps**

► **OPTIONAL 857** - **side support** for the pelvis



► **OPTIONAL 865** - Headrest



REMOVE THE HANDLE FOR THOSE WHO ARE NOT SELF - SUFFICIENT using the special key



CORRECT POSITION of FEET



HOW TO CLOSE the BACKREST



CORRECT POSITION of KNEES and FEET



STANDY 3 how to close the backrest

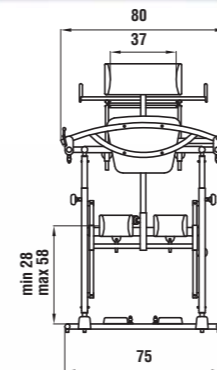
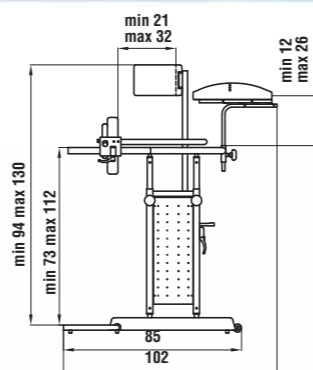
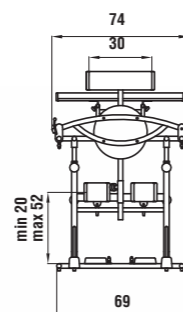
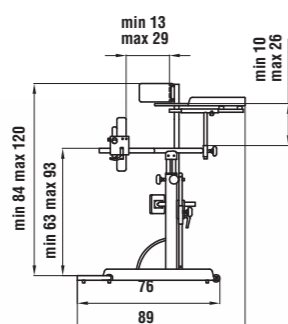


STANDY 3 for children from **8 to 14**



ADJUSTMENT of the BACK SUPPORT by using the supplied key

DIMENSIONS in cm and kg



STANDY3 medium - Weight kg. 28,9 - Max. capacity kg. 90

STANDY4 large - Weight kg. 38 - Max. capacity kg. 120