

Duecentotré 5 **DOCCIA**

203-5 SHOWER-CHAIR



ORMESA

Duecentotre 5 DOCCIA



834 abduction block

WINDING HEADREST

separated from the backrest and adjustable in tilt, height and in the front and in the back position.

Triangular shaped **WINDING BACKREST**, in order to keep the trunk better. It can be fixed in 2 positions in order to have the seat adjustable in depth (2 different ones). Adjustable tilt thanks to the back rack locking.

Washable PVC-STRING COVERING

It allows a wide perspiration and it's highly wear-resistant. The sufficiently elastic covering assumes the shape of the shoulders and of the bottom.

detachable and turning sideways **SIDES**

One only overturnable FOOTREST, in order to help the approach of the operator, the sitting and the getting down of the user.

ALLUMINIUM FRAME

Painted with non-toxic epoxy varnish



Unpiercerable **WHEELS** 12 cm, back wheels with brake.

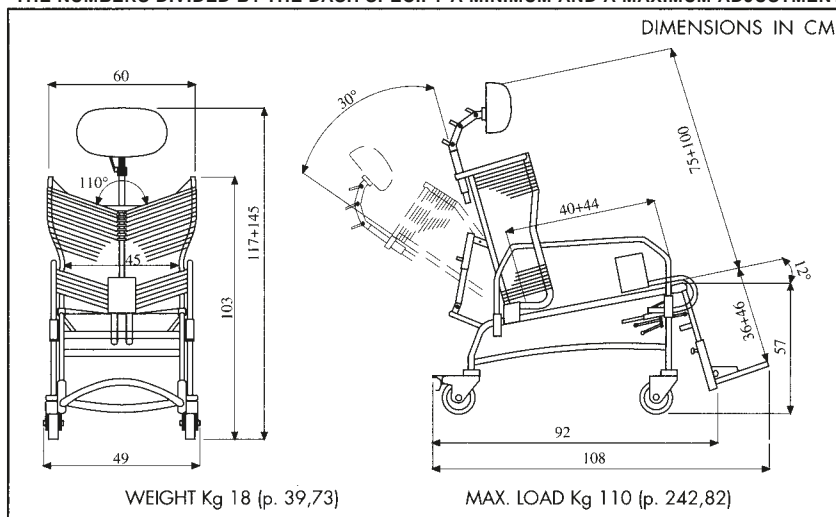
SEAT

with a 15° tilt, in order to prevent the user from falling forward.

LEGREST, ADJUSTABLE in tilt.

The copyright even if partial is not allowed, without the authorization of the manufacturer.

THE NUMBERS DIVIDED BY THE DASH SPECIFY A MINIMUM AND A MAXIMUM ADJUSTMENT



Via A. Da Sangallo 1 Z.A.I. PACIANA 06034 FOLIGNO - PG - ITALY

TEL. +39 0742 22927 (r.a.) FAX +39 0742 22637 E-mail: info@ormesa.com http://www.ormesa.com



A.D.M. - A.REHA

ASSOCIATION OF MANUFACTURERS OF AIDS FOR MOTORIAL DISABILITIES

COMPANY WITH QUALITY MANAGEMENT SYSTEM CERTIFIED BY DNV =ISO 9001:2000=