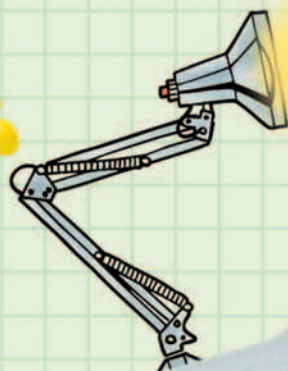


# SCHOOL & FREE TIME TABLE



**O R M E S E**®

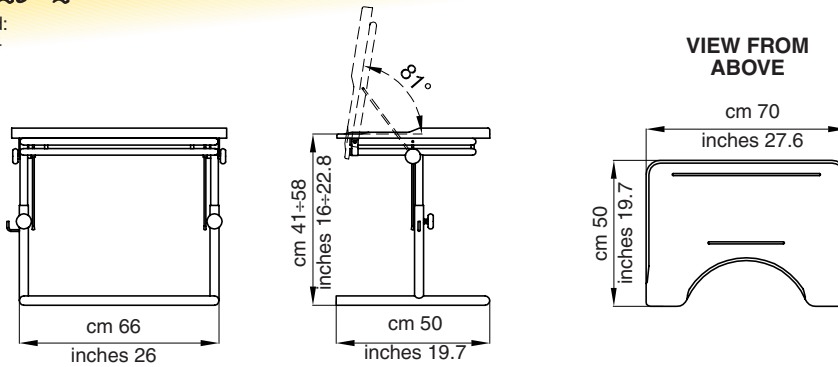
The 425 TABLE was designed for teaching educational activities and as a support to other aids

- tubular chromium-plated **FRAME** and painted base
- washable **TOP** with border and hollow. It is adjustable in height and tilt
- in order to use the top while it is inclined we supply the **BOOK** and **PEN CLIPS**
- **SIDE HOOK** for the school-bag

Measures in cm/inches  
Weights in Kg./Libbres

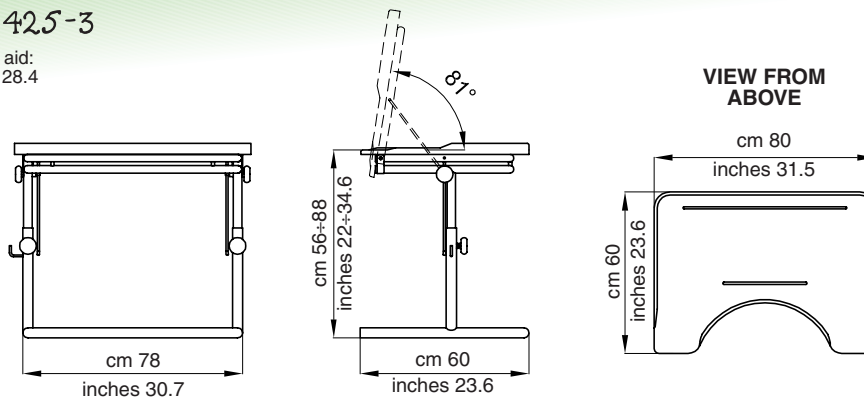
### Table 425-2

Weight of the aid:  
Kg. 9,7 Lbs. 21.4



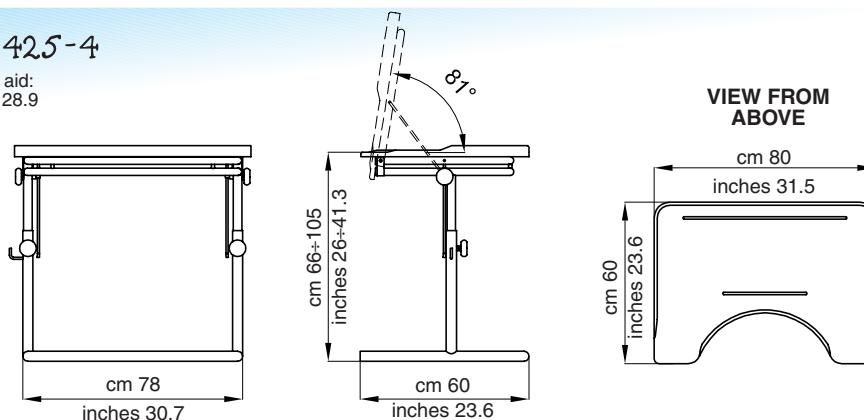
### Table 425-3

Weight of the aid:  
Kg. 12,9 Lbs. 28.4



### Table 425-4

Weight of the aid:  
Kg. 13,1 Lbs. 28.9



THE NUMBERS DIVIDED BY THE DASH (-) SPECIFY A MINIMUM AND A MAXIMUM ADJUSTMENT