

# DONDOLINO

vertical standing frame



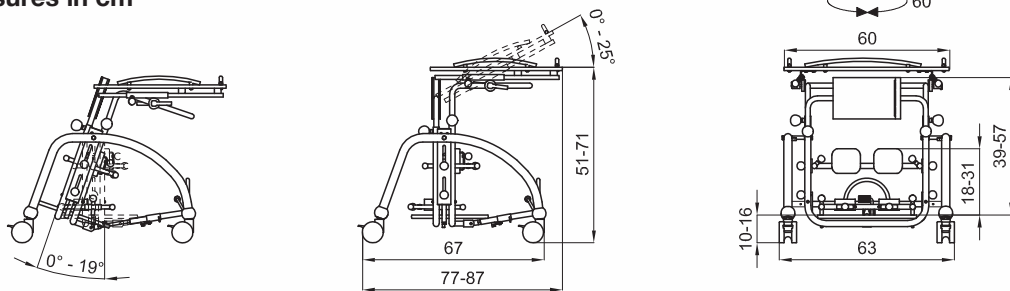
**DONDOLINO** standing frame was designed to be used in the normal life contexts of the child (home, school, primary school, communities).  
 Moreover it can enhance the child's capacity to adapt to his surroundings and to interact positively with the world around him.

**DONDOLINO** is formed by:

- **TABLE.** It is adjustable in height, depth and tilt;
- **FRAME.** It is adjustable in tilt;
- **KNEE-PADS.** They are adjustable in depth, width, height and in a rotatory movement;
- **HEEL-RESTS.** They are adjustable in depth and width;
- **WOODEN BASE.** It is adjustable in height;
- **PELVIC SUPPORT.** It is adjustable in its circumference, height, backwards and forwards thanks to Velcro straps;
- **CHEST SUPPORT** (just for size 2 and 3). It is adjustable in its circumference, height, backwards and forwards thanks to Velcro straps;
- lockable **WHEELS**

HYPHEN-SEPARATED NUMBERS INDICATE THE MINIMUM AND MAXIMUM RANGE OF ADJUSTMENT

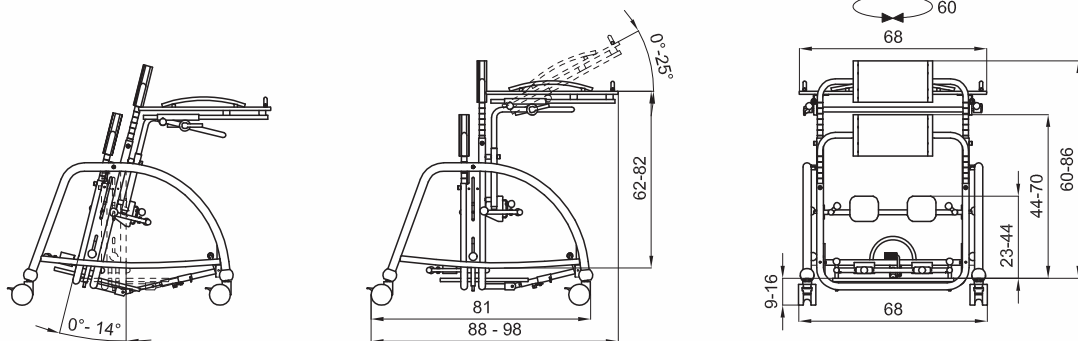
measures in cm



**DONDOLINO 1**

- WGT. OF THE AID Kg 15.5

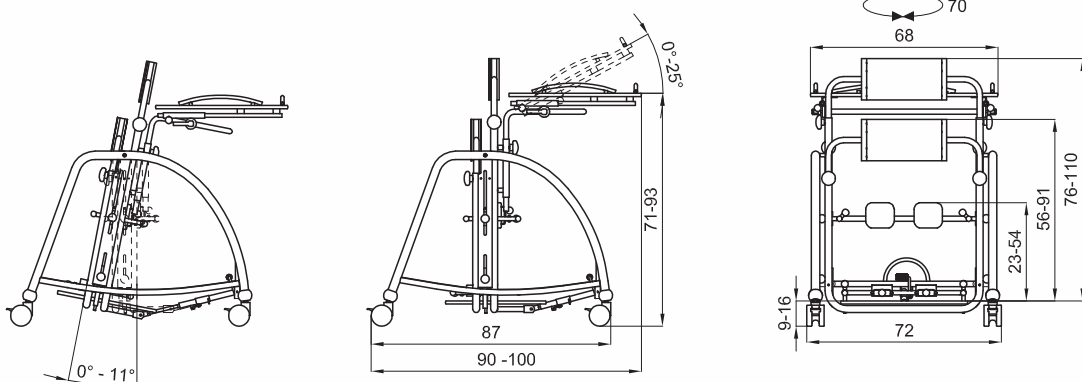
- MAX LOAD Kg 35



**DONDOLINO 2**

- WGT. OF THE AID Kg 21,5

- MAX LOAD Kg 45



**DONDOLINO 3**

- WGT. OF THE AID Kg 24

- MAX LOAD Kg 55

The copyright even if partial is not allowed without the authorization of the manufacturer. The manufacturer reserves the right to make changes without any notice



S.r.l. - Via A. Da Sangallo, 1 - PACIANA

06034 FOLIGNO (PG) ITALY - TEL. +39 0742 22927 (r.a.) FAX +39 0742 22637

E-mail: info@ormesa.com - www.ormesa.com



COMPANY  
 WITH QUALITY MANAGEMENT  
 SYSTEM CERTIFIED BY DNV  
 = ISO 9001: 2000 =

