

ORMESA®

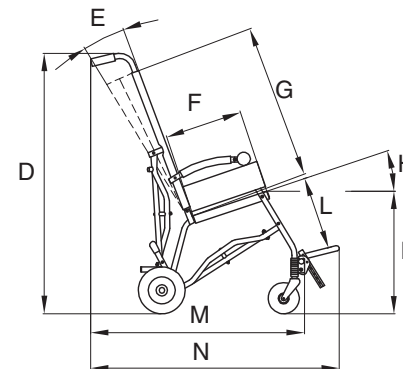
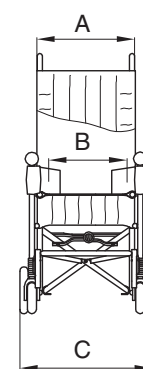
design and quality made in Italy

INGLESE - COD. 22428 - 02.12.08

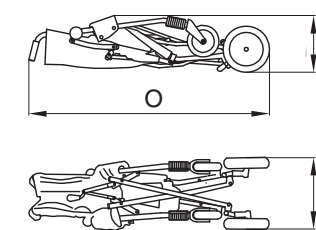


CLIP

measures in centimeters and inches, weights in kilos and libbres

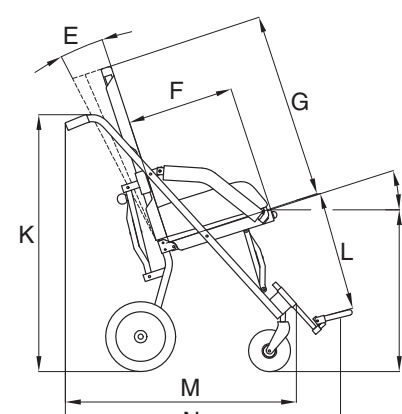
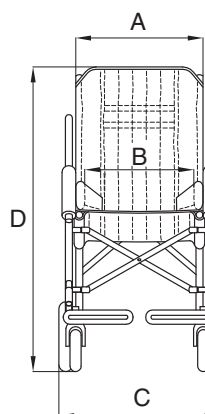


CLIP 1-2-3

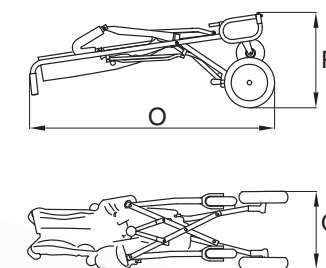


THE NUMBERS DIVIDED BY THE DASH SPECIFY A MINIMUM AND A MAXIMUM ADJUSTMENT

	MAX. USER MASS	A	B	C	D	E	F	G	H	I	K	L	M	N	O	P	Q	WEIGHT OF THE AID
CLIP 1	30 kg 66 Lbs	40 cm (15.7")	30 cm (11.8")	51 cm (20")	99 cm (39")	0°-12°	25 cm (9.8")	55 cm (21.6")	18°	46 cm (18")	--	15-23 cm (7"-9")	73 cm (28.7")	80 cm (31.4")	110 cm (43.3")	30 cm (11.8")	32 cm (12.6")	10,8 kg 23.8 Lbs
CLIP 2	35 kg 77 Lbs	40 cm (15.7")	33 cm (13")	51 cm (20")	99 cm (39")	0°-12°	30 cm (11.8")	59 cm (23.2")	18°	48 cm (18.9")	--	21-31 cm (8.2"-12.2")	73 cm (28.7")	90 cm (35.4")	110 cm (43.3")	30 cm (11.8")	32 cm (12.6")	11 kg 24.2 Lbs
CLIP 3	40 kg 88 Lbs	40 cm (15.7")	36 cm (14")	51 cm (20")	104 cm (41")	0°-12°	35 cm (13.8")	64 cm (25")	18°	49 cm (19.3")	--	25-37 cm (9.8"-14.5")	79 cm (31")	96 cm (38")	115 cm (45.2")	32 cm (12.5")	35 cm (13.7")	11,2 kg 24.6 Lbs
CLIP 4	76 kg 167 Lbs	45 cm (17.7")	40 cm (15.7")	57 cm (22.4")	112 cm (44")	0°-10°	40 cm (15.7")	67 cm (26.3")	18°	59 cm (23.2")	95 cm (37.4")	36-48 cm (14"-18.9")	82 cm (32.2")	105 cm (41.3")	117 cm (46")	56 cm (22")	34 cm (13.4")	12,5 kg 27.5 Lbs



CLIP 4



COMPANY WITH QUALITY MANAGEMENT SYSTEM CERTIFIED BY DNV =ISO 9001:2000=



Product Certified by the Following Institute CERAH France



Clip passed CRASH TEST according to the ISO 7176-19 for the forward-facing transport of the pushchair in a motor vehicle (private vans/cars, buses..)



ORMESA®

S.r.l. Via A. Da Sangallo, 1 - Loc. PACIANA - 06034 FOLIGNO (Pg) ITALY
Tel.: +39 0742 22927 (r.a.) Fax: +39 0742 22637 E-mail: info@ormesa.com http://www.ormesa.com

CLIP

Functions

The CLIP is **light weighted** and can be **easily folded**

The CLIP has an **inclined seat** to assure the **maximum comfort** to the child.

3 Seatback positions available through the ingenious use of zippers (pict. 1). Seatback and seat have aluminium bars for rigidity contouring

Pre-Engineered for **headrest**

Pre-Engineered for **side trunk supports**

Folding aluminium frame

8" (20 cm) **solid wheels** with brakes



Net basket on the back of the backrest (pict.1)

Pre-Engineered for **vest harness**

Breathable upholstery

Semirigid seat with inner aluminium supports

Frame lock

Legrest strap

6" (15 cm) **castor wheels**

Detachable and adjustable footrest in height



Sizes 1,2 and 3 are available in **two colours**:

- Yellow frame with blue and yellow upholstery (till storage is finished)
- Silver frame with blue and grey upholstery



CLIP 4 it's available only with silver frame and blue and grey upholstery



Accessories



▶ **812** Directional locks



▶ **827** Foot straps



▶ **817** Leg straps for abduction



▲ **828** Seat belt



▲ **894** Pelvic belt



▲ **819** Canopy



▲ **818** Thermal cover



▲ **825** Rain cover to be fixed to the **819** canopy



▶ **816** Side supports for the trunk



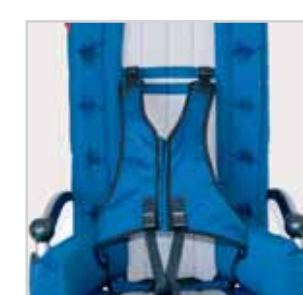
▶ **835** adjustable Headrest



▶ **853** Vest harness



▶ **906** Five point harness



▶ **903** Five point vest harness

WARNING:

- fits the ISO 10542 compliant 4-POINT STRAP-TYPE TIEDOWN, provided by the vehicle
- it is required for the child to wear both pelvic- and shoulder-belt-type restraints, to be compliant either with ISO 7176-19 or ISO 10542
- postural belts and harnesses such as our 828, 853, 894, 903, 906 are not approved for the use as an occupant restraint system
- the vehicle must be suitable for transporting orthopedic pushchairs in compliance with current law
- read the warnings and instructions given in the user's & maintenance book



▶ **891 SET OF 4 TIE DOWN HOOKS** for the forward-facing transport of the pushchair in a motor vehicle (private vans/cars, buses..)