

DISTRIBUTOR/AGENT:	DATE OF ORDER:
	DATE OF DELIVERY:
	NAME OF THE ADDRESSEE/USER:



marked

FUNCTIONS

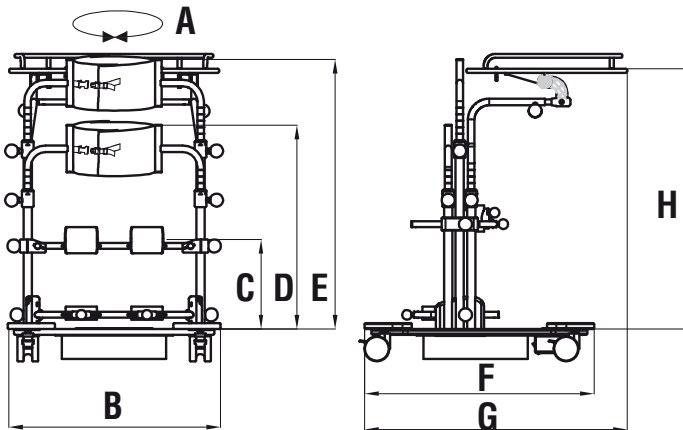
- FRAME varnished with non-toxic epoxy-powder paint and with chromium-plated adjustable parts. It is adjustable in tilt
- TRAY in multilayer wood. It is adjustable in height, tilt and depth. It can be removed
- KNEE-PADS adjustable in height, width, depth and in a rotatory movement
- HEELRESTS adjustable in depth and width
- MULTILAYER WOOD FOOTBOARD
- PELVIC SUPPORT adjustable in its circumference thanks to Velcro straps, in height, back and forward
- TRUNK SUPPORT (just for size 2 and 3) adjustable in its circumference thanks to Velcro straps and in height
- Unpierceable WHEELS, diam. 75 mm, rear wheels with brakes. Thanks to the wheels the aid can be moved from one room to another with the User
- ELECTRONIC Kit: patented system fixed under the footboard which can transform an "audio" electronic signal into vibration

Please check off the interested products: _____

MEASURES

size 1 size 2 size 3

Attention!
Read carefully the user and maintenance manual



User dimensions

USER HEIGHT (C)
size 1: min cm 75 (29.5") - max cm 105 (41.3")
size 2: min cm 100 (39.3") - max cm 120 (47.2")
size 3: min cm 115 (45.2") - max cm 150 (59")

IMPORTANT:
make sure that measures D and E indicated in the figure do not exceed the suggested range indicated for pelvic and thoracic supports.

SIZE	MAX LOAD CAP	WEIGHT	A	B	C	D	E	F	G	H
1	Kg. 35 (Lbs 77)	Kg. 22,6 (Lbs 49)	cm 60 (23.6")	cm 60 (23.6")	cm 14-26 (5.5"-10.2")	cm 44-56 (17.3"-22")	-----	cm 66 (25.9")	cm 76-86 (29.9"-33.8")	cm 49-73 (19.2"-28.7")
2	Kg. 45 (Lbs 99)	Kg. 25 (Lbs 56)	cm 65 (25.5")	cm 65 (25.5")	cm 14-36 (5.5"-14")	cm 55-68 (21.6"-26.7")	cm 70-90 (27.5"-35.4")	cm 70 (27.5")	cm 78-88 (30.7"-34.6")	cm 58-88 (22.8"-34.6")
3	Kg. 55 (Lbs 55)	Kg. 28,5 (Lbs 62)	cm 70 (27.5")	cm 68 (26.7")	cm 14-42 (5.5"-16.5")	cm 65-85 (25.6"-33.4")	cm 85-110 (33.4"-43.3")	cm 73 (28.7")	cm 80-90 (31.4"-35.8")	cm 69-100 (27"-39.3")

Notes: _____

