

ORDER FORM

MINI STANDY standing frame

DISTRIBUTOR/AGENT:	DATE OF ORDER:
	DATE OF DELIVERY:
	NAME OF THE ADDRESSEE/USER:



CE Marked

FUNCTIONS

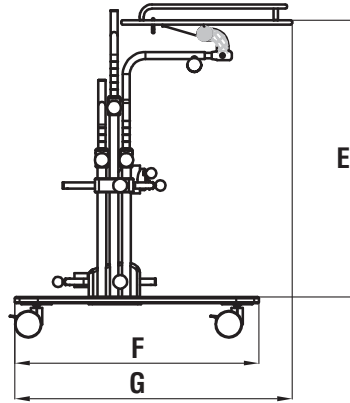
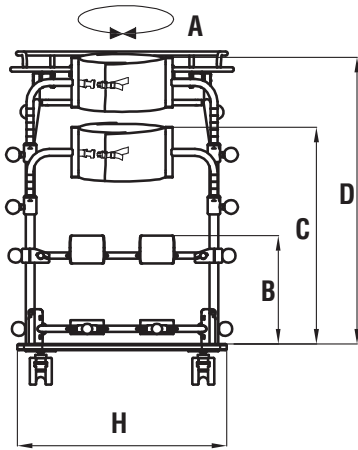
- **FRAME** varnished with non-toxic epoxy-powder paint and with chromium-plated adjustable parts. It is adjustable in tilt. All adjustments are made by knobs, without using wrenches.
- **TRAY** in multilayer wood. It is adjustable in height, tilt and depth. It can be removed
- **KNEE-PADS** adjustable in height, width, depth and in a rotatory movement
- **HEELRESTS** adjustable in depth and width
- **MULTILAYER WOOD FOOTBOARD**
- **PELVIC SUPPORT** adjustable in its circumference thanks to Velcro straps, in height, back and forward
- **TRUNK SUPPORT** (just for size 2 and 3) adjustable in its circumference thanks to Velcro straps and in height
- Unpierceable **WHEELS**, diam. 75 mm, rear wheels with brakes. Thanks to the wheels the aid can be moved from one room to another with the User

Please check off the interested products: _____

- MINI STANDY-1 MINI STANDY-2 MINI STANDY-3

Attention!
Read carefully the user and maintenance manual

MEASURES



User dimensions	
USER HEIGHT (C)	
size 1: min cm 75 - max cm 105	
size 2: min cm 100 - max cm 120	
size 3: min cm 115 - max cm 150	
<p><i>IMPORTANT:</i> make sure that measures D and E indicated in the figure do not exceed the suggested range indicated for pelvic and thoracic supports.</p>	

SIZE	MAX LOAD CAP	WEIGHT	A	B	C	D	E	F	G	H
1	35 kg	17 kg	60 cm	19-31 cm	44-56 cm	-----	49-73 cm	60 cm	74-83 cm	56 cm
2	45 kg	21 kg	65 cm	19-38 cm	55-68 cm	70-90 cm	58-88 cm	70 cm	78-88 cm	60 cm
3	55 kg	23 kg	70 cm	19-48 cm	65-85 cm	85-110 cm	69-100 cm	80 cm	83-93 cm	65 cm

Notes:

.....

.....

.....

